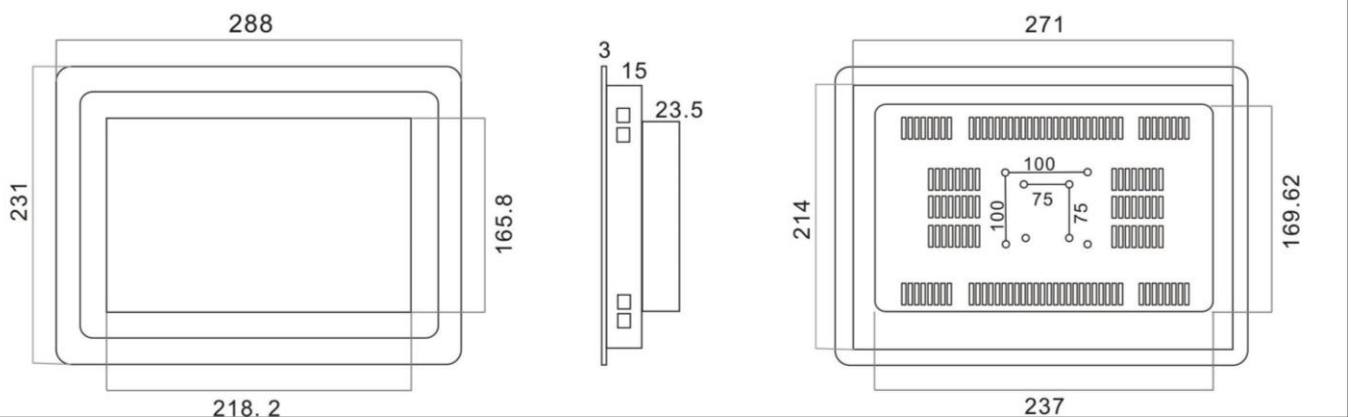


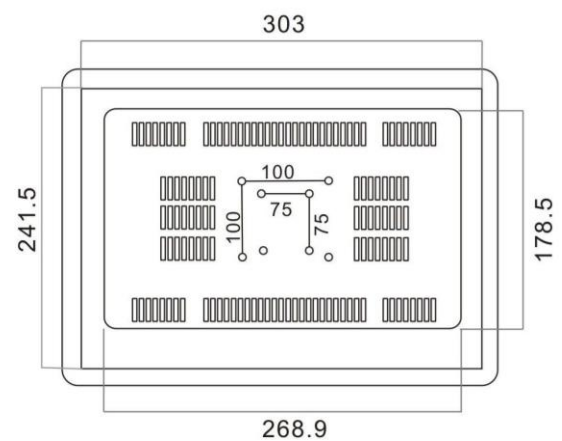
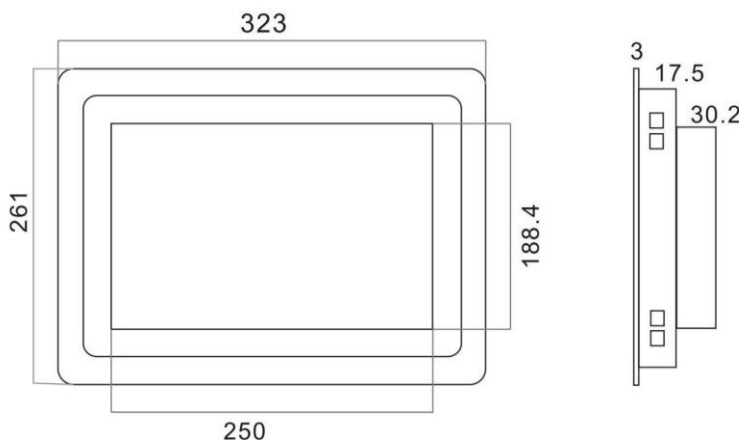
Specification

	Model	WPC-100403A
	Size	10.4"
	Active Area (mm)	211x158
	Brightness	300 nits
	Contrast	700:1
	Aspect Ratio	4:3
	Resolution	1024x768
	Viewing Angle	80/80/70/70
	Color	16.2M
	Touch Type	Projected Capacitive Industrial Grade, TP: G+G, USB Communication
Display	Touch Panel	3mm Tempered Glass, 6H Hardness, Light Transmittance: $\geq 85\%$
	Processor	Intel J1900
	Frequency	2.0Ghz
	Core number	Celeron Quad
	Motherboard Size	SOC 146x102mm
	RAM	4GB DDR3L, 1* SODIMM, Maximum 8GB DDR3L
	Storage	32GB mSATA, Maximum 512GB.
	Expansion	1*PCI-E, Support WIFI/3G/4G, Half Size; 1* mSATA, for mini SSD, Full Size.
	Ethernet	RTL 8111F, 10/100/1000M
	Speaker	8Q2W*2
I/O Ports	VGA	1
	HDMI	1
	USB2.0	4
	USB3.0	1
	COM RS232	2
	RJ45	1
	Line Out	1
	Mic	1
	DC Jack	1
	Power	Voltage
Power Consumption		20W (Maximum)
Enclosure	Shell Color	Black color or other color options
	Shell Material	Aluminum
	Overall Size (mm)	288.00W*231.00H*42.00D
	Mounting Size(mm)	271.00Wx214.00H*39.00D
	Mounting Method	Panel Mount, Wall Mount, Desktop, VESA 75*75mm, 100*100mm
Environment	IP Code	IP54 (Front Panel)
	Operation Temperature	0°C~60°C
	Humidity	10%~90%, Non-condensing



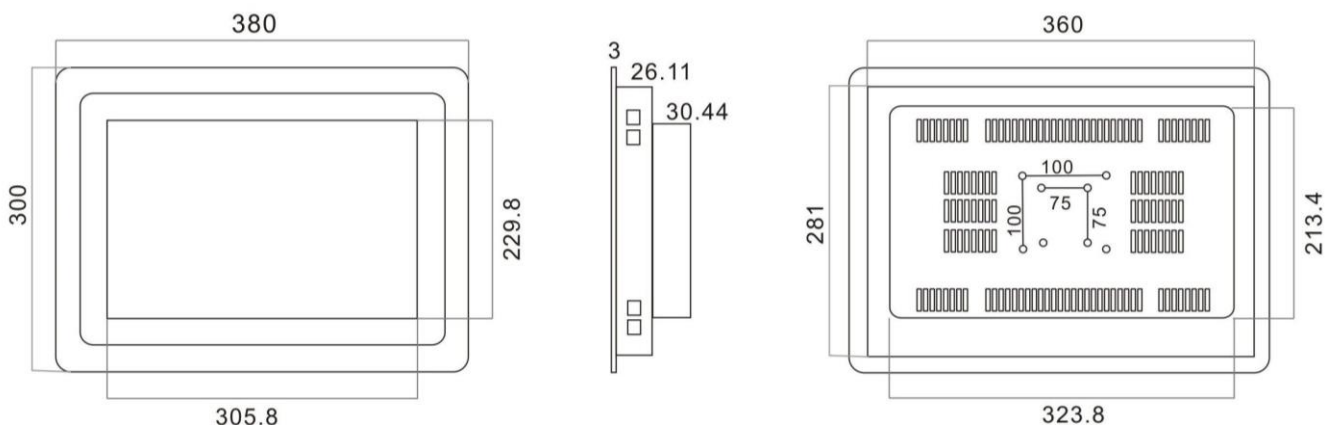
Specification

	Model	WPC-120403A
	Size	12.1"
	Active Area (mm)	245x184
	Brightness	300 nits
	Contrast	800:1
	Aspect Ratio	4:3
	Resolution	1024x768
	Viewing Angle	80/80/70/70
	Color	16.7M
Display	Touch Type	Projected Capacitive Industrial Grade, TP: G+G, USB Communication
	Touch Panel	3mm Tempered Glass, 6H Hardness, Light Transmittance: $\geq 85\%$
	Processor	Intel J1900
	Frequency	2.0Ghz
	Core number	Celeron Quad
	Motherboard Size	SOC Thin ITX 170x170mm
	RAM	4GB DDR3L 1* SODIMM, maximum 8GB DDR3L
	Storage	32GB mSATA, Maximum 512GB. Optional with 2.5" HDD 500GB-1TB
	Expansion	1*PCI-E, Support WIFI/3G/4G, Half Size; 1* mSATA, for mini SSD, Full Size.
	Ethernet	RTL 8111F, 10/100/1000M
I/O Ports	Speaker	8Q2W*2
	VGA	1
	HDMI	1
	USB2.0	4
	USB3.0	1
	COM RS232	2
	RJ45	1
	Line Out	1
	Mic	1
	DC Jack	1
Power	Voltage	DC12V5A, with external Power Adapter 100~240V AC input
	Power Consumption	20W(Maximum)
Enclosure	Shell Color	Black color or other color options
	Shell Material	Aluminum
	Overall Size (mm)	323.00W*261.00H*51.00D
	Mounting Size(mm)	303.00W*242.00H*48.00D
	Mounting Method	Panel Mount, Wall Mount, Desktop, VESA 75*75mm,100*100mm
Environment	IP Code	IP54 (Front Panel)
	Operation Temperature	0°C~60°C
	Humidity	10%-90%, Non-condensing



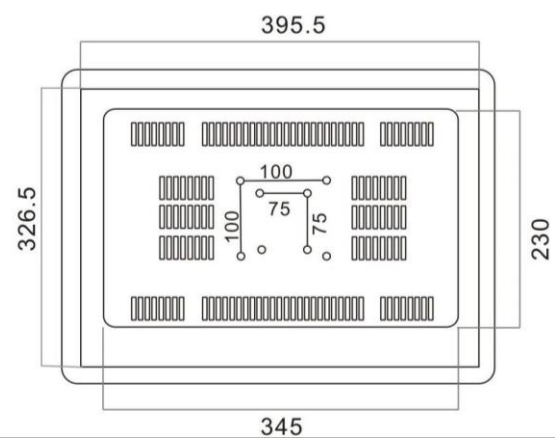
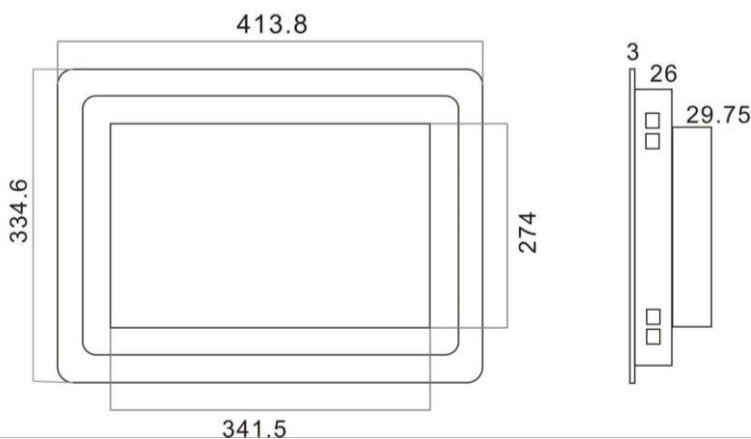
Specification

	Model	WPC-150403A
	Size	15"
	Active Area (mm)	304x228
	Brightness	300 nits
	Contrast	1000:1
	Aspect Ratio	4:3
	Resolution	1024x768
	Viewing Angle	80/80/80/80
	Color	16.7M
Display	Touch Type	Projected Capacitive Industrial Grade, TP: G+G, USF Communication
	Touch Panel	3mm Tempered Glass, 6H Hardness, Light Transmittance: $\geq 85\%$
	Processor	Intel J1900
	Frequency	2.0Ghz
	Core number	Celeron Quad
	Motherboard Size	SOC Thin ITX 170x170mm
	RAM	4GB DDR3L, 1* SODIMM, maximum 8GB DDR3L
	Storage	32GB mSATA, Maximum 512GB. Optional with 2.5" HDD 500GB~1TB
	Expansion	1*PCI-E, Support WIFI/3G/4G, Half Size; 1* mSATA, for mini SSD, Full Size.
	Ethernet	RTL 8111F, 10/100/1000M
I/O Ports	Speaker	8 Ω 2W*2
	VGA	1
	HDMI	1
	USB2.0	4
	USB3.0	1
	COM RS232	2
	RJ45	1
	Line Out	1
	Mic	1
	DC Jack	1
Power	Voltage	DC12V5A, with external Power Adapter 100~240V AC input
	Power Consumption	25W(Maximum)
Enclosure	Shell Color	Black color or other color options
	Shell Material	Aluminum
	Overall Size (mm)	380.00W*300.00H*61.00D
	Mounting Size(mm)	360.00W*281.00H*58.00D
	Mounting Method	Panel Mount, Wall Mount, Desktop, VESA 75*75mm, 100*100mm
Environment	IP Code	IP54 (Front Panel)
	Operation Temperature	0°C~60°C
	Humidity	10%~90%, Non-condensing



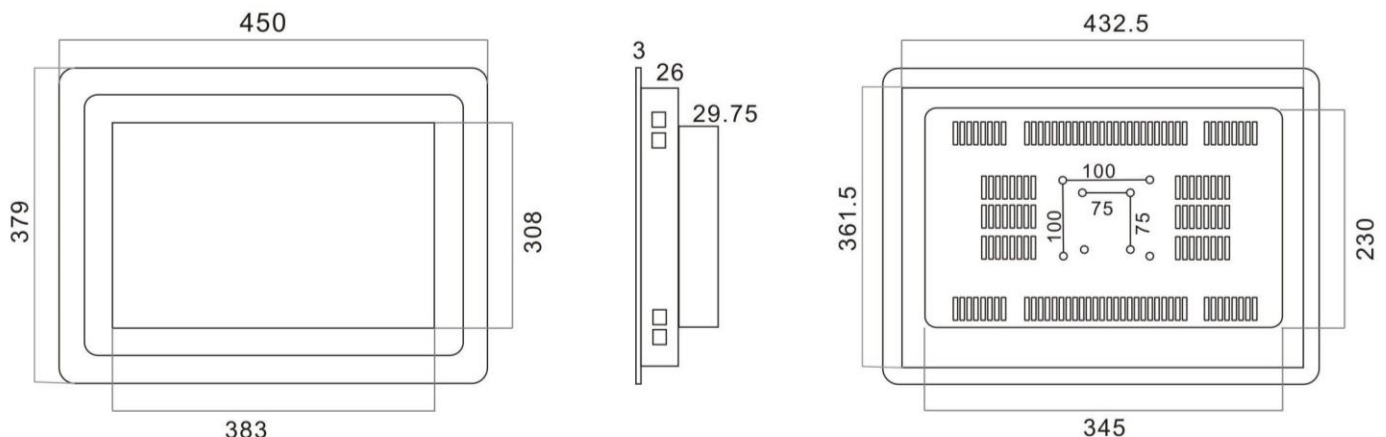
Specification

	Model	WPC-170403A
Display	Size	17"
	Active Area (mm)	338x270
	Brightness	350 nits
	Contrast	1000:1
	Aspect Ratio	4:3
	Resolution	1280x1024
	Viewing Angle	85/85/80/80
	Color	16.7M
	Touch Type	Projected Capacitive Industrial Grade, TP: G+G, USF Communication
	Touch Panel	3mm Tempered Glass, 6H Hardness, Light Transmittance: ≥85%
	Processor	Intel J1900
	Frequency	2.0Ghz
	Core number	Celeron Quad
	I/O Ports	Motherboard Size
RAM		4GB DDR3L, 1* SODIMM, maximum 8GB DDR3L
Storage		32GB mSATA, Maximum 512GB. Optional with 2.5" HDD 500GB-1TB
Expansion		1*PCI-E, Support WIFI/3G/4G, Half Size; 1* mSATA, for mini SSD, Full Size.
Ethernet		RTL 8111F, 10/100/1000M
Speaker		8Ω2W*2
VGA		1
HDMI		1
USB2.0		4
USB3.0		1
Power	COM RS232	2
	RJ45	1
Enclosure	Line Out	1
	Mic	1
	DC Jack	1
Environment	Voltage	DC12V5A, with external Power Adapter 100~240V AC input
	Power Consumption	32W (Maximum)
	Shell Color	Black color or other color options
	Shell Material	Aluminum
Environment	Overall Size (mm)	414.00W*335.00H*61.00D
	Mounting Size(mm)	396.00W*327.00H*58.00D
	Mounting Method	Panel Mount, Wall Mount, Desktop, VESA 75*75mm, 100*100mm
Environment	IP Code	IP54 (Front Panel)
	Operation Temperature	0°C~60°C
	Humidity	10%~90%, Non-condensing



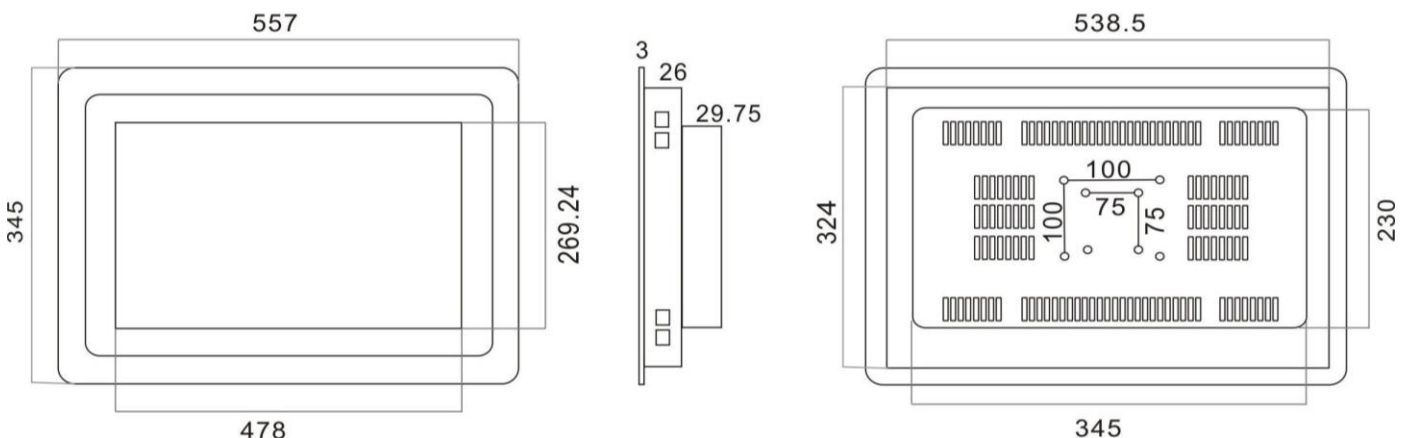
Specification

	Model	WPC-190504A
	Size	19"
	Active Area (mm)	376x301
	Brightness	350 nits
	Contrast	1000:1
	Aspect Ratio	4:3
	Resolution	1280x1024
	Viewing Angle	85/85/80/80
	Color	16.7M
	Touch Type	Projected Capacitive Industrial Grade, TP: G+G, USI Communication
Display	Touch Panel	3mm Tempered Glass, 6H Hardness, Light Transmittance: $\geq 85\%$
	Processor	Intel J1900
	Frequency	2.0Ghz
	Core number	Celeron Quad
	Motherboard Size	SOC Thin ITX 170x170mm
	RAM	4GB DDR3L, 1* SODIMM, maximum 8GB DDR3L
	Storage	32GB mSATA, Maximum 512GB. Optional with 2.5" HDD 500GB~1TB
	Expansion	1*PCI-E, Support WIFI/3G/4G, Half Size; 1* mSATA, for mini SSD, Full Size.
	Ethernet	RTL 8111F, 10/100/1000M
	Speaker	8Q2W*2
I/O Ports	VGA	1
	HDMI	1
	USB2.0	4
	USB3.0	1
	COM RS232	2
	RJ45	1
	Line Out	1
	Mic	1
	DC Jack	1
	Power	Voltage
Power Consumption		35W(Maximum)
Enclosure	Shell Color	Black color or other color options
	Shell Material	Aluminum
	Overall Size (mm)	450.00W*379.00H*61.00D
	Mounting Size(mm)	433.00W*362.00H*58.00D
	Mounting Method	Panel Mount, Wall Mount, Desktop, VESA 75*75mm, 100*100mm
Environment	IP Code	IP54 (Front Panel)
	Operation Temperature	0°C~60°C
	Humidity	10%~90%, Non-condensing



Specification

	Model	WPC-210403A
	Size	21.5"
	Active Area (mm)	476x267
	Brightness	250 nits
	Contrast	3000:1
	Aspect Ratio	16:9
	Resolution	1920x1080
	Viewing Angle	89/89/89/89
	Color	16.7M
Display	Touch Type	Projected Capacitive Industrial Grade, TP: G+G, USB Communication
	Touch Panel	3mm Tempered Glass, 6H Hardness, Light Transmittance: $\geq 85\%$
	Processor	Intel J1900
	Frequency	2.0Ghz
	Core number	Celeron Quad
	Motherboard Size	SOC Thin ITX 170x170mm
	RAM	4GB DDR3L, 1* SODIMM, maximum 8GB DDR3L
	Storage	32GB mSATA, Maximum 512GB. Optional with 2.5" HDD 500GB-1TB
	Expansion	1*PCI-E, Support WIFI/3G/4G, Half Size; 1* mSATA, for mini SSD, Full Size.
	Ethernet	RTL 8111F, 10/100/1000M
I/O Ports	Speaker	8Q2W*2
	VGA	1
	HDMI	1
	USB2.0	4
	USB3.0	1
	COM RS232	2
	RJ45	1
	Line Out	1
	Mic	1
	DC Jack	1
Power	Voltage	DC12V5A, with external Power Adapter 100~240V AC input
	Power Consumption	38W (Maximum)
Enclosure	Shell Color	Black color or other color options
	Shell Material	Aluminum
	Overall Size (mm)	557.00W*345.00H*59.00D
	Mounting Size(mm)	539.00W*324.00H*56.00D
	Mounting Method	Panel Mount, Wall Mount, Desktop, VESA 75*75mm, 100*100mm
Environment	IP Code	IP54 (Front Panel)
	Operation Temperature	0°C~60°C
	Humidity	10%-90%, Non-condensing



Specification

	Model	WPC-211609A
	Size	21.5"
	Active Area (mm)	476x267
	Brightness	250 nits
	Contrast	3000:1
	Aspect Ratio	16:9
	Resolution	1920x1080
	Viewing Angle	89/89/89/89
	Color	16.7M
Display	Touch Type	Projected Capacitive Industrial Grade, TP: G+G, USB Communication
	Touch Panel	3mm Tempered Glass, 6H Hardness, Light Transmittance: $\geq 85\%$
	Processor	Intel J1900
	Frequency	2.0Ghz
	Core number	Celeron Quad
	Motherboard Size	SOC Thin ITX 170x170mm
	RAM	4GB DDR3L, 1* SODIMM, maximum 8GB DDR3L
	Storage	32GB mSATA, Maximum 512GB. Optional with 2.5" HDD 500GB-1TB
	Expansion	1*PCI-E, Support WIFI/3G/4G, Half Size; 1* mSATA, for mini SSD, Full Size.
	Ethernet	RTL 8111F, 10/100/1000M
I/O Ports	Speaker	8Q2W*2
	VGA	1
	HDMI	1
	USB2.0	4
	USB3.0	1
	COM RS232	2
	RJ45	1
	Line Out	1
	Mic	1
	DC Jack	1
Power	Voltage	DC12V5A, with external Power Adapter 100~240V AC input
	Power Consumption	38W (Maximum)
Enclosure	Shell Color	Black color or other color options
	Shell Material	Aluminum
	Overall Size (mm)	557.00W*345.00H*59.00D
	Mounting Size(mm)	539.00W*324.00H*56.00D
	Mounting Method	Panel Mount, Wall Mount, Desktop, VESA 75*75mm, 100*100mm
Environment	IP Code	IP54 (Front Panel)
	Operation Temperature	0°C~60°C
	Humidity	10%-90%, Non-condensing

