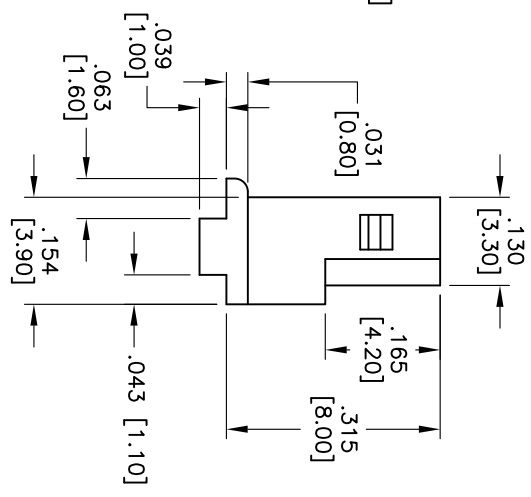
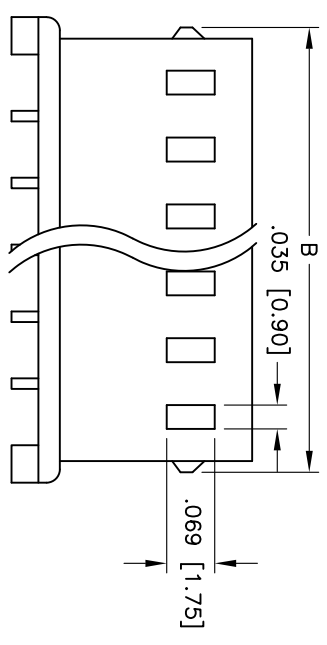
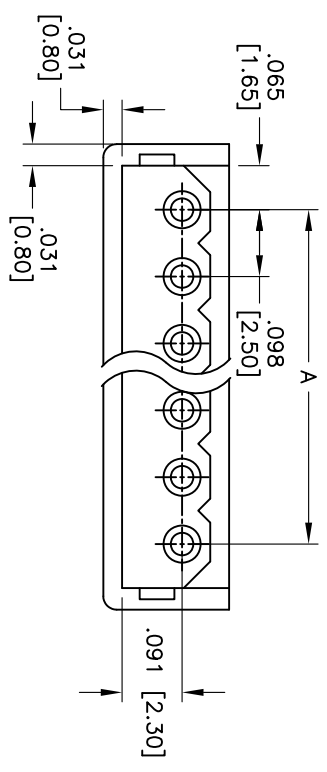


APPROVED: _____
 DATE: _____ TITLE: _____

Rev	AWO #	Description	Date	Appr
-		RELEASED	2/10/10	
A		REVISED DIM.	10/25/10	



Positions: 02 thru 20
 A = .098 [2.50] x No. of Spaces
 B = .098 [2.50] x No. of Spaces + .154 [3.90]

SPECIFICATIONS:
 Material:
 Insulator: Nylon 66 UL 94V-0
 Insulator color: Natural

Electrical:
 Operating voltage: 250 VAC
 Current rating: 3 Amp max
 Contact Resistance: 20 mohms max
 Insulation resistance: 1,000Mohms MIN.
 Dielectric withstanding voltage: 1,000V AC for 1 MIN.

Temperature Rating:
 Temperature range: -40°C to +105°C
 Environmental:
 Lead free, RoHS compliant



UNLESS OTHERWISE SPECIFIED
 ALL DIMENSIONS ARE IN INCHES [MM]
 TOLERANCES: EXCEPT AS NOTED
 INCHES Holes
 .X ± .10 ØXX ± .10
 .XX ± .020 ØXXX ± .015
 .XXX ± .015 ØXXXX ± .010

ADAM TECH
 909 Rahway Avenue, Union, NJ 07083
 Phone: 908-687-5000 Fax: 908-687-5710

SHROUDED CRIMP TERMINAL HOUSING

APPROVALS	DATE
DRAWN	DY
CHECKED	
APPROVED	

SIZE	PART NO.	REV.
X	25CH-E-XX	A
REF: S0072T	SCALE: NTS	SHEET 1 OF 1